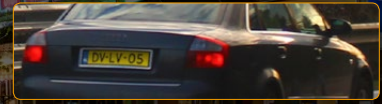


ARH M202/402

DAY AND NIGHT MOBILE ANPR CAMERA FOR TRAFFIC, PARKING AND LAW ENFORCEMENT

ANPR RESULTS:

DV-LV-05



- NUMBER PLATE: DV-LV-05
- NATIONALITY: EU-NETHERLANDS
- RECOGNITION TIME: 2016-10-01 23:19:19+00:00
- BLACKLIST: NO



EFFICIENT MOBILE ANPR-BASED SURVEILLANCE

M202/M402 is a high performance unmanned license plate scanner that truly is on the move. Today's markets demand hardware and software solutions that can read license plates while the camera itself is in motion. Up until now, with no reliable way to trigger, the processing power needed for these applications ranged from immense to non-existent. With its revolutionary software based triggering algorithm, compact size, discreet design and the world's most sophisticated ANPR engine, the M202/M402 camera family provides an all-in-one solution to the greatest challenge in ANPR yet: capturing and reading license plates while both the camera and the vehicle are in motion.



TOLL COLLECTION



PARKING SYSTEMS



TRAFFIC MONITORING



LAW ENFORCEMENT



TRAFFIC SECURITY



VIDEO ANALYTICS

MAIN BENEFITS

- Reads license plates from moving vehicles
- Ideal for toll collection, police applications and parking enforcement
- ONVIF compliant device
- Onboard ANPR software (M402)
- Patrol car, roadside, barrier and gate mounting
- Quick and easy installation with single cable connection
- Easy pan/tilt and external mounting on any vehicle
- Optimized for MobilSpot®

TOWARD THE FUTURE IN SAFETY – SINCE 1991

ADDRESS: ALKOTAS UTCA 41, H-1123 BUDAPEST, HUNGARY, EU
 PHONE: +36 1 201 9650 • FAX: +36 1 201 9651 • EMAIL: SENDINFO@ARH.HU
 WWW.ARH.HU

SPECIFICATIONS

ARH M202/M402

The M202/M402 digital IP camera comes equipped with brightness control settings that are optimized for recognizing license plates at high speeds and under rapidly changing lighting conditions. In addition, M402 is equipped with its own onboard web server and embedded ANPR/LPR. The unit is protected by IP67 rated durable weather-proof housing. The device's fixed-lens camera module generates ONVIF certified MJPEG videos or JPEG still image outputs.

IMAGING

Resolution (H x V pixels)	1280 x 720
Sensor	Global shutter, color CCD
Max Frame Rate (at all resolution)	30 frames/sec
Output Format	JPEG, MJPEG stream
Day/Night Mode	Configurable day/night mode switching

ILLUMINATION

Type of LEDs	High quality SMD IR
Wavelength (IP PASS/IR CUT)	IR CUT: 700 nm / IR PASS: 800-900 nm
Intensity	3 preconfigured modes
Operation	Low power consumption adjustable flash

EFFECTIVE RANGE FOR ANPR

90 mm char. size. Horizontal range (installation height 1.8 m / 6.0 ft)	3.5 mm lens: 1.0 m – 3.5 m (3.3 ft – 11.5 ft) 16 mm lens: 8.0 m – 14.0 m (26.2 ft – 46.0 ft)
70 mm char. size. Horizontal range (installation height 1.8 m / 6.0 ft)	3.5 mm lens: 1.0 m – 3.0 m (3.3 ft – 10 ft) 16 mm lens: 8.0 m – 14.0 m (26.2 ft – 46.0 ft)
50 mm char. size. Horizontal range (installation height 1.5 m / 5.0 ft)	3.5 mm lens: 1.0 m – 1.2 m (3.3 ft – 4 ft) 16 mm lens: 6.5 m – 9.0 m (21.3 ft – 30.0 ft)

PROCESSING & I/O

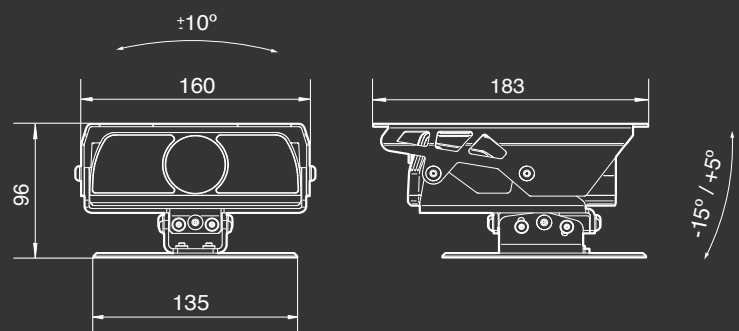
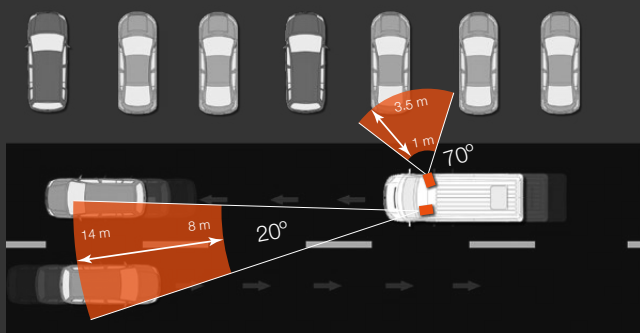
Communication Protocol	ARP, ICMP, TCP/IP, DHCP, NTP, FTP, HTTP, SMTP, RTP
Communication Interface	1 Gbit/sec Ethernet

ELECTRICAL DATA

Power requirement	POE+
Power Consumption	14 – 25 W

PHYSICAL CHARACTERISTICS

Operating Temperature	-30 °C to 55 °C (-22 °F to 131 °F)
Startup Temperature	-20 °C (-4 °F)
IP rating	IP 67
Dimensions (L x W x H)	183 mm x 160 mm x 57 mm (7.2" x 6.3" x 2.2")
Weight (without bracket)	1.4 kg (3.1 lb)
Weight (bracket)	0.4 kg (0.9 lb)
Housing Material	Aluminum
Housing Color	RAL 9007 / Optional Custom
Shield Color	RAL 9007 / Optional Custom



Effective range for ANPR (90 mm char. size, horizontal range [installation height: 1.8 m / 6.0 ft]): 1 m – 3.5 m (3.3 ft – 11.5 ft) or 8 – 14 m (26.2 ft – 46.0 ft)

Technical specifications are subject to change without prior notice. This document does not constitute an offer.



ADDRESS: ALKOTAS UTCA 41, H-1123 BUDAPEST, HUNGARY, EU
 PHONE: +36 1 201 9650 • FAX: +36 1 201 9651 • EMAIL: SENDINFO@ARH.HU
 WWW.ARH.HU